

# MOLDED PLASTIC SMD MICROPROCESSOR CRYSTAL

ABSM2



ABSM2



RoHS  
Compliant

12.5 x 4.6 x 3.7mm

## FEATURES:

- Suitable for reflow
- Low in height - suitable for thin equipment
- AT-strip cut offers a tight tolerance & stability

## APPLICATIONS:

- Computers, Modems, Microprocessors
- Communication, Test equipment
- PCMCIA

## STANDARD SPECIFICATIONS:

### PARAMETERS

ABRACON P/N	ABSM2
Frequency Range	3.5 MHz to 70 MHz
Operation Mode	AT-strip (see option) Fundamental 3.5 MHz - 32.0 MHz Third-Overtone 30.0 MHz - 70.0 MHz
Operating Temperature	- 10°C to + 60°C (see options)
Storage Temperature	- 55°C to + 125°C
Frequency Tolerance	± 50 ppm max. (see options)
Frequency Stability over the Operating Temp. (Ref to +25°C)	± 50 ppm max. (see options)
Equivalent Series Resistance (max)	See Table 1
Shunt Capacitance C <sub>0</sub>	7pF max.
Load Capacitance C <sub>L</sub>	18pF (see options)
Drive Level	100µW max.
Aging at 25°C Per Year	± 5ppm max.
Insulation Resistance	500MW min at 100Vdc ± 15Vdc

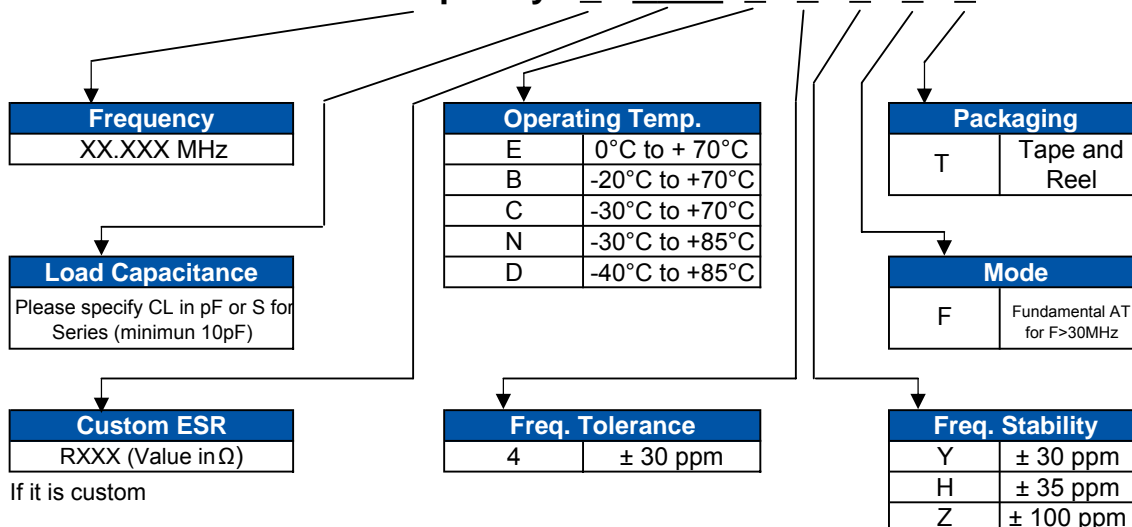
TABLE 1 - Standard ESR

Frequency (MHz)	ESR (Ω)
3.50 - 3.999	200
4.000 - 5.999	150
6.000 - 11.999	100
12.000 - 32.00(Fund)	50
30.000 - 35.999(3rd O/T)	100
33.000 - 70.00(3rd O/T)	80

## OPTIONS & PART IDENTIFICATION:

[Left blank if standard]

ABSM2 - Frequency - □ - R□□□ - □ - □ - □ - □ - □



# MOLDED PLASTIC SMD MICROPROCESSOR CRYSTAL

ABSM2



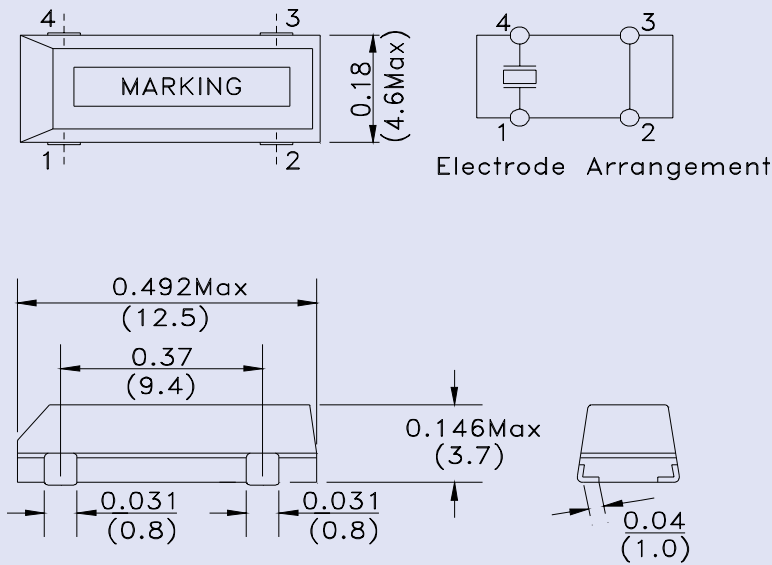
ABSM2



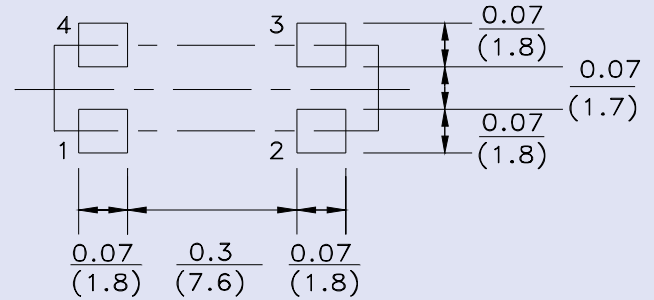
RoHS  
Compliant

12.5 x 4.6 x 3.7mm

## OUTLINE DRAWING:



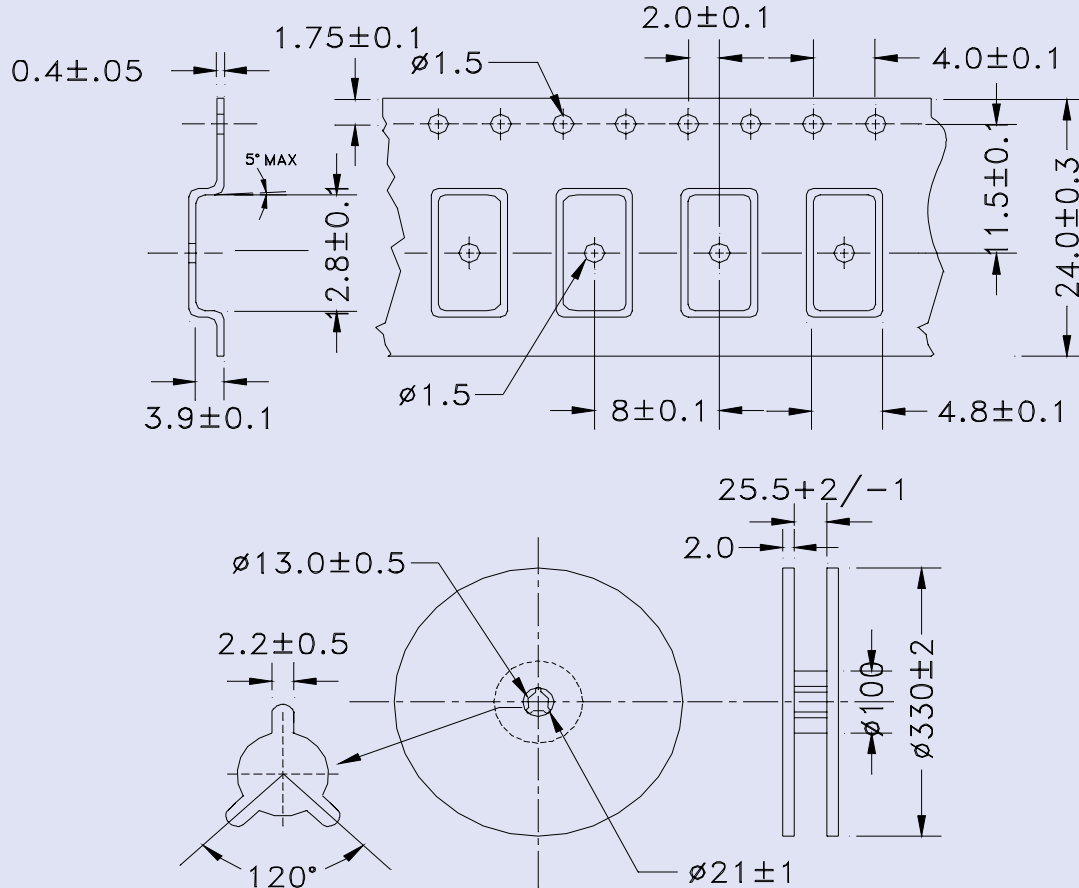
## RECOMMENDED LAND PATTERN



Dimensions: Inches (mm)

## TAPE & REEL:

### FEEDING (PULL) DIRECTION



Dimensions: mm

ABRACON IS  
ISO 9001 / QS 9000  
CERTIFIED



Visit [www.abracon.com](http://www.abracon.com) for Terms & Conditions of Sale Revised: 01.11.08

30332 Esperanza, Rancho Santa Margarita, California 92688

tel 949-546-8000 | fax 949-546-8001 | [www.abracon.com](http://www.abracon.com)